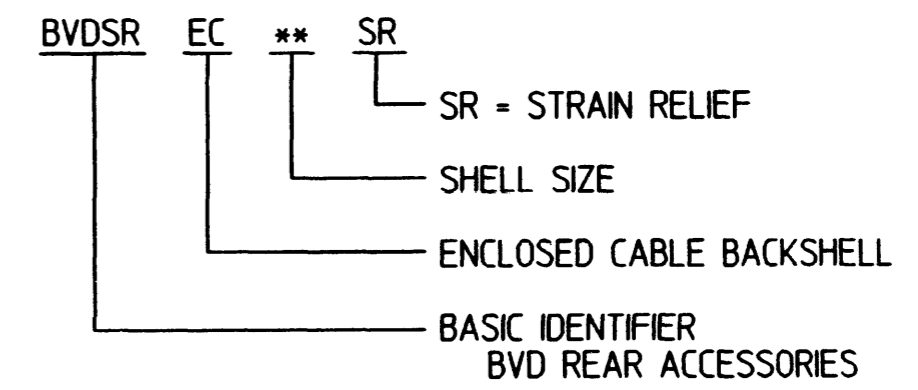
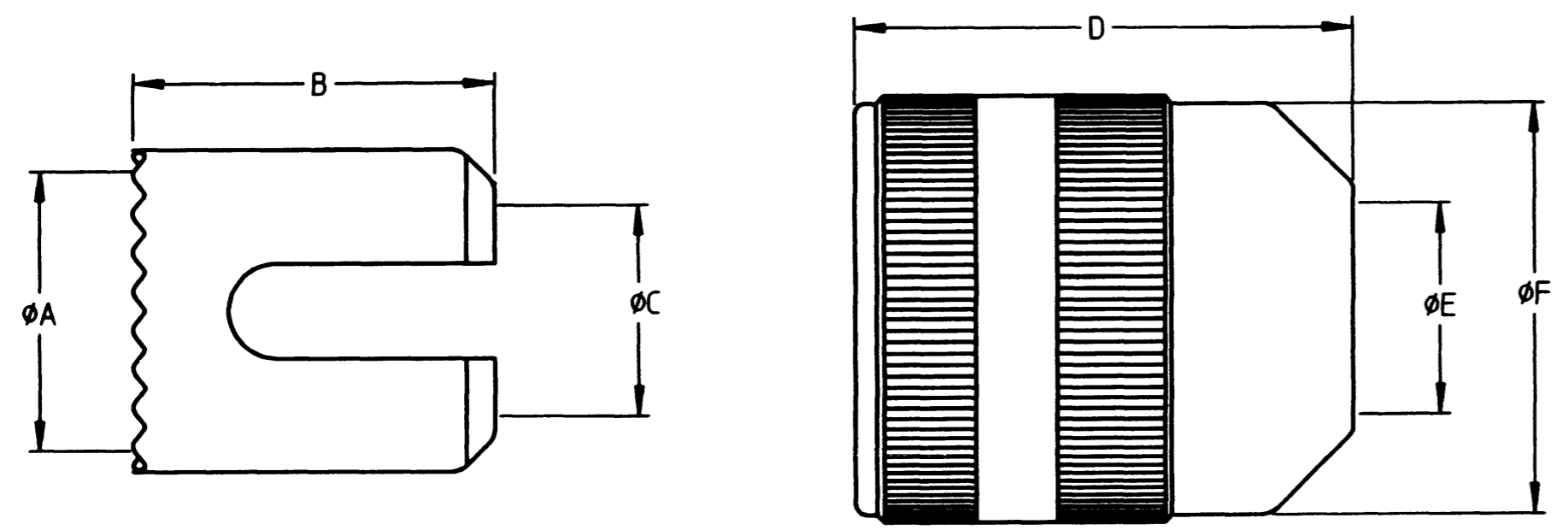


T

|   |             |           |                        |         |          |
|---|-------------|-----------|------------------------|---------|----------|
| A | BVDSREC**SR | REVISIONS |                        |         |          |
|   |             | REV       | DESCRIPTION            | DATE    | APPROVED |
|   |             | A         | REVISED PER E.O C 1449 | 4/21/94 | RCW      |



| DEUTSCH PART NUMBER ** | SHELL SIZE | ØA ±.025 | B ±.025 | ØC ±.025 | D ±.025 | ØE ±.020 | ØF ±.025 | CABLE DIA. MIN. | CABLE DIA. MAX. |
|------------------------|------------|----------|---------|----------|---------|----------|----------|-----------------|-----------------|
| BVDSREC02SR            | 02         | .465     | .857    | .295     | 1.185   | .295     | .735     | .180            | .290            |
| BVDSREC03SR            | 03         | .579     | .857    | .445     | 1.185   | .445     | .860     | .250            | .380            |
| BVDSREC04SR            | 04         | .704     | .857    | .500     | 1.185   | .500     | .975     | .325            | .490            |
| BVDSREC05SR            | 05         | .829     | .857    | .555     | 1.185   | .555     | 1.115    | .350            | .550            |
| BVDSREC06SR            | 06         | .935     | .857    | .665     | 1.185   | .665     | 1.225    | .450            | .660            |
| BVDSREC07SR            | 07         | 1.060    | 1.105   | .690     | 1.513   | .690     | 1.345    | .550            | .680            |

(A)

- NOTE:
1. ALL DIMENSIONS ARE IN INCHES UNLESS OTHERWISE SPECIFIED.
  2. CONSULT FACTORY FOR AVAILABILITY.
  3. PARTS SHIPPED LOOSE.

| SIGNATURE & DATE |                      |
|------------------|----------------------|
| DR               | LEROY MAGANA 8/27/93 |
| CHK              | J. POWELL 9/3/93     |
| FE               | <i>RCW</i> 9/2/93    |
| APFD             |                      |
| SCALE            | NONE                 |
| WT               |                      |

BACKSHELL  
STRAIN RELIEF  
BVD SERIES  
  
ENVELOPE

|   |                         |
|---|-------------------------|
| CP  | MATL CODE               |
| <b>DEUTSCH</b><br>ENGINEERED CONNECTING DEVICES<br>Municipal Airport<br>Banning, California |                         |
| <b>B</b>  | BVDSREC**SR             |
| DWG SIZE  | CODE 11139 SHEET 1 OF 1 |

BVDSREXXSR\_ENV\_A

T